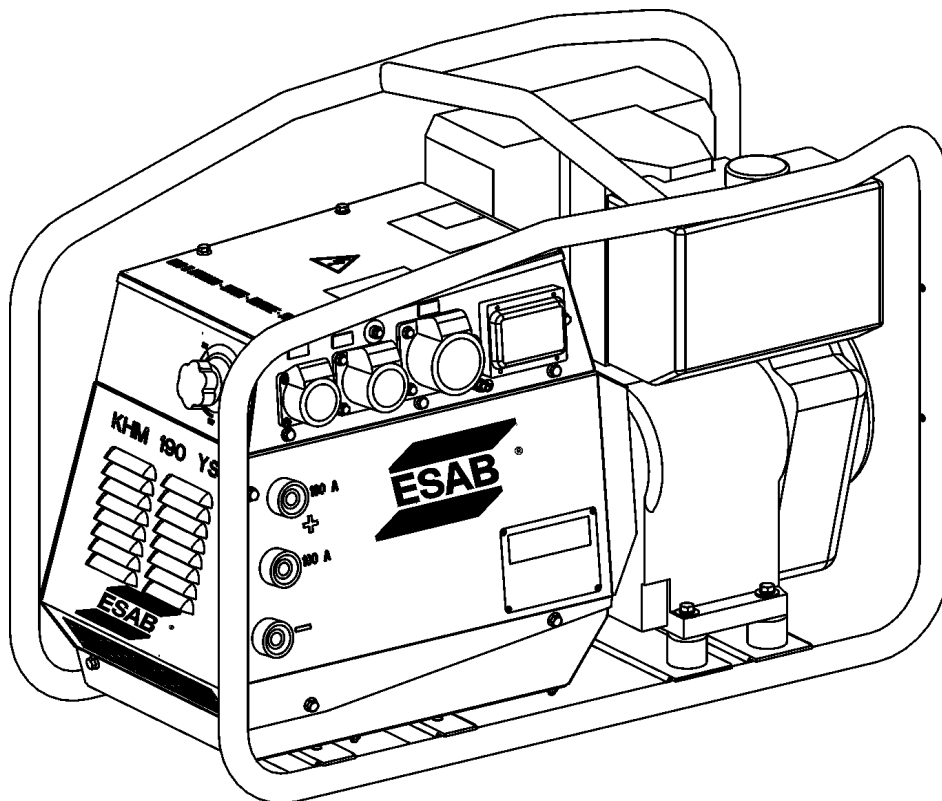




KHM 190 YS



Diagrams and spare parts list



DECLARATION OF CONFORMITY

ESAB Welding Equipment AB, S--695 81 Laxå, Sweden, gives its unreserved guarantee that the engine driven welder KHM 190 YS with the code number 0794000882/3 complies with the Community Directives and related modifications 98/37/CE - 73/23/CE - 89/336/CE and, in order to check the conformity, the following harmonized standards EN 292-1 - EN 292-2 - EN 60974-1 - EN 60204-1 - EN 50199 and other standards or directives like 84/535/CE - ISO 8528 have been consulted .

Laxå 2001

A handwritten signature in black ink, appearing to read "Joakim Cahlin". The signature is fluid and cursive, written over a thin horizontal line.

Joakim Cahlin
ESAB Welding Equipment AB
695 81 LAXÅ
SWEDEN

Tel. + 46 58 481000

fax +46 584 411924

Dear Customer,

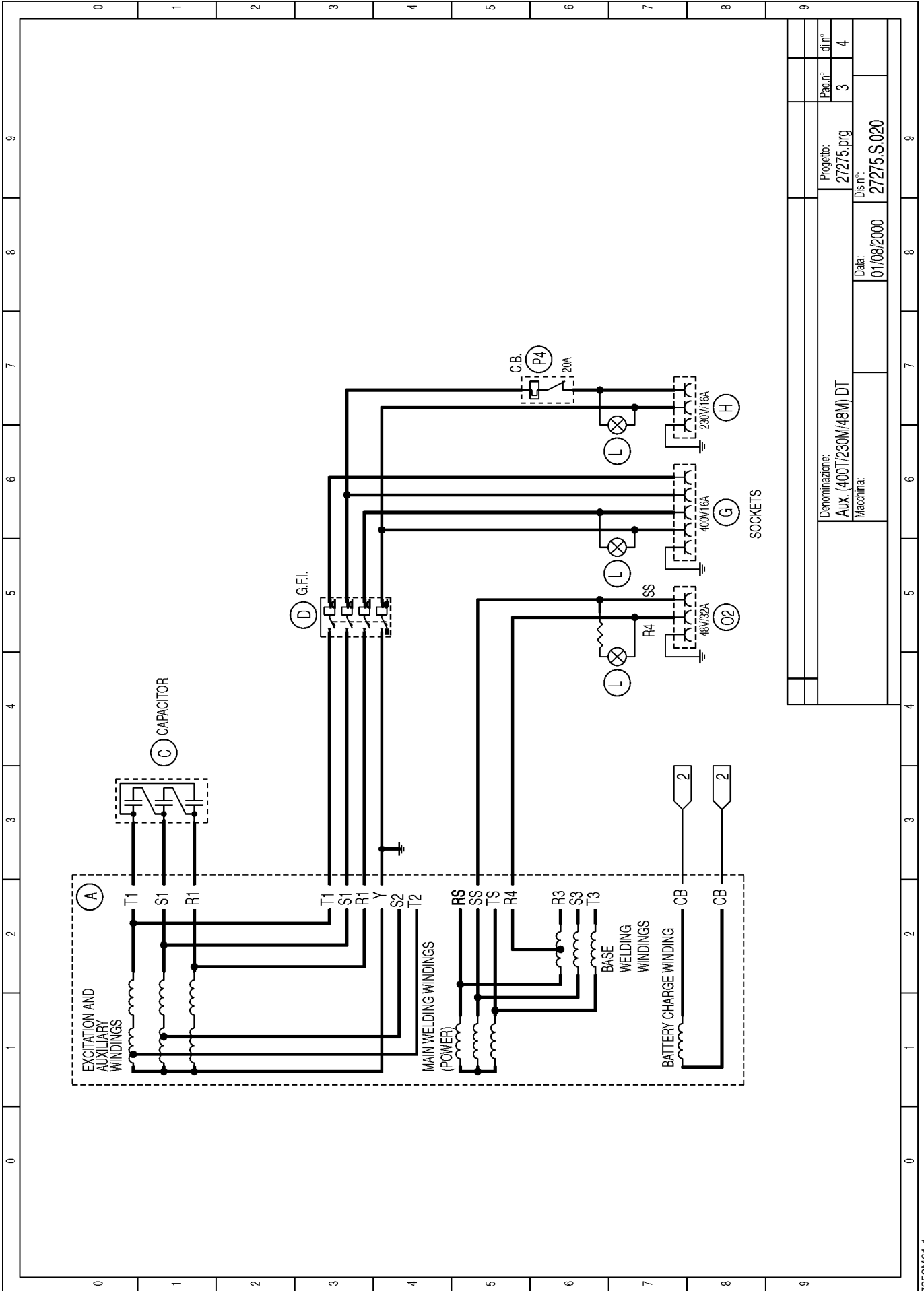
We wish to thank you for having bought this product.

Please take time to read this manual and familiarize yourself with the machine before attempting to use it.

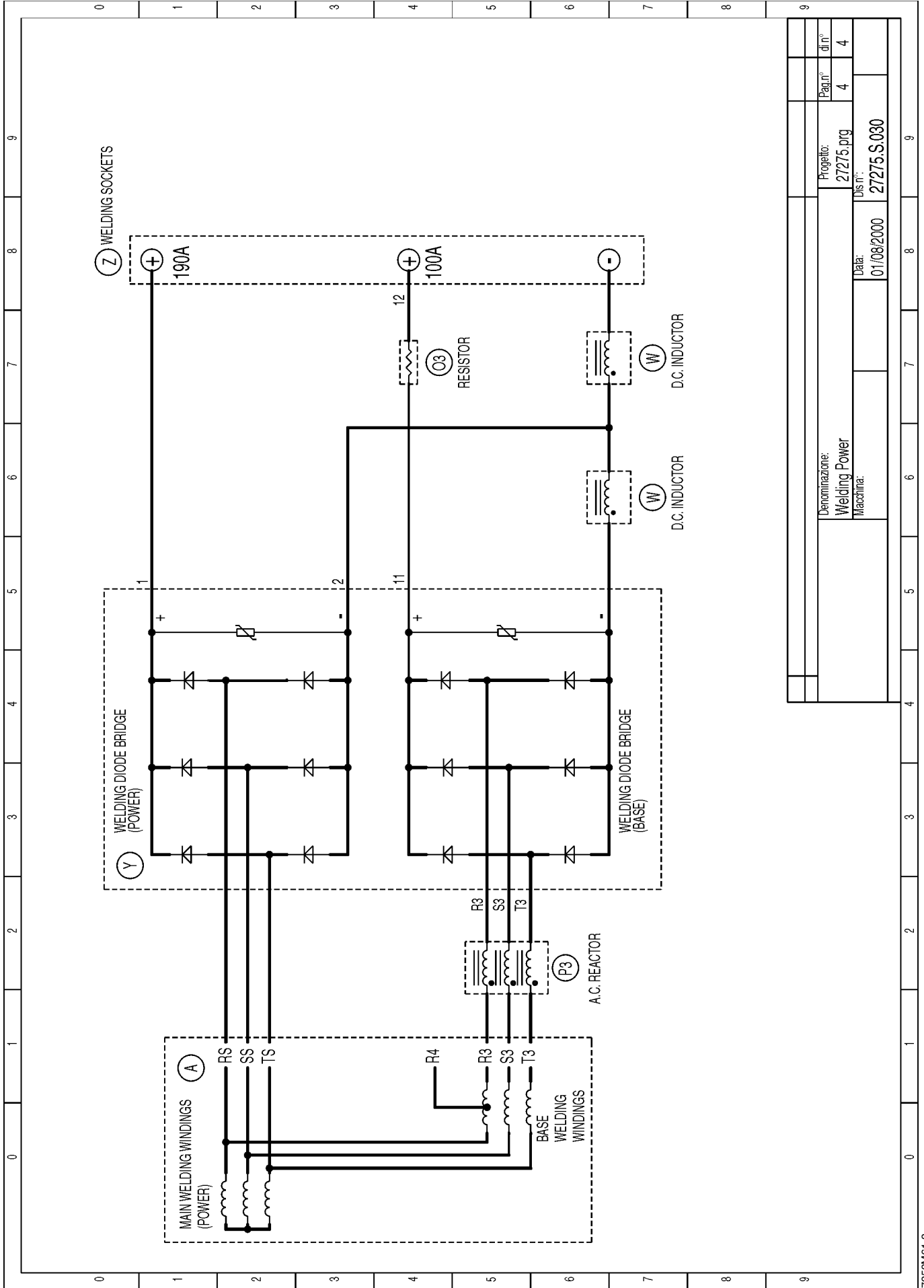
If you should have questions or problems please contact the nearest authorized Service Center. They have the experience and original spare parts. The use of non-original spare parts will void the warranty.

TABLE OF CONTENTS

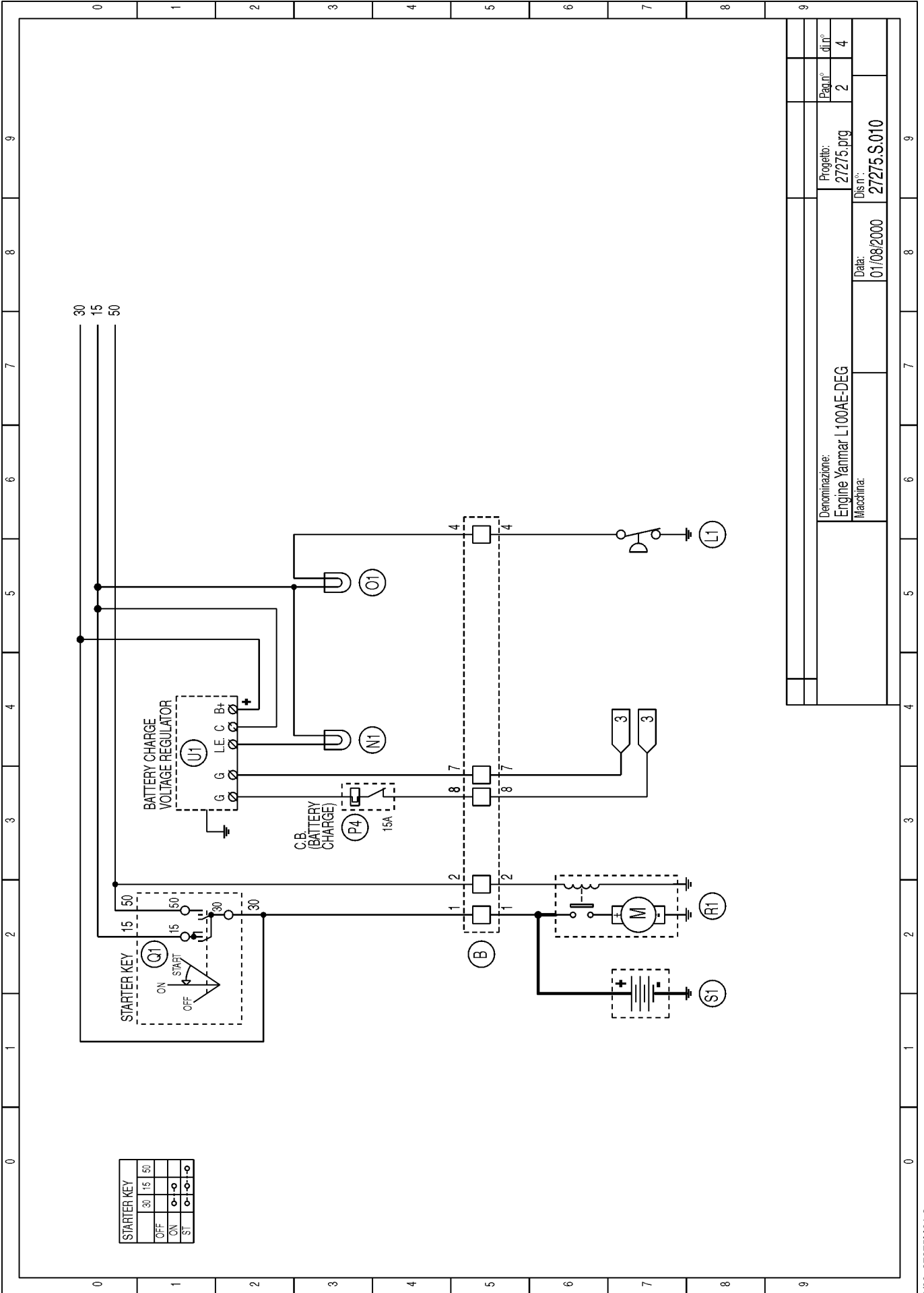
<u>DESCRIPTION</u>	<u>PAGE</u>
<u>GENERAL INFORMATION</u>	
INFORMATION ABOUT THIS MANUAL	M 2
DESCRIPTION - SYMBOLS	M 2.1
PRECAUTIONS - GENERAL	M 2.5
PRECAUTIONS - ENGINE DRIVEN WELDERS	M 2.5.1
TRANSPORT	M 4.1
ASSEMBLY OF TROLLEY	M 6
INSTALLATION INFORMATION	M 2.6, M 2.7
<u>OPERATION</u>	
UNPACKING	M 3
PREPARING THE UNIT	M 20.1
STARTING THE ENGINE	M 21
STOPPING THE ENGINE	M 22
CONTROLS	M 31
USE AS A WELDER	M 34
USE AS A GENERATOR	M 37
ENGINE PROTECTION	M 39.6
MAINTENANCE	M 43, M 43.2
STORAGE	M 45
TECHNICAL DATA AND MACHINE DESCRIPTION	M 51, 51.1
<u>SCHEMATICS AND SPARE PARTS</u>	
ORDERING SPARE PARTS	R 1,
WIRING DIAGRAM - AUXILIARY	M 61.1
WIRING DIAGRAM – WELDING POWER	M 61.2
WIRING DIAGRAM – ENGINE	M 61.3
WIRING DIAGRAM - AUXILIARY	M 61.4
WIRING DIAGRAM – WELDING POWER	M 61.5
DESCRIPTION - ELECTRICAL SYSTEM	M 60
SPARE PARTS	DR 3, DR 3.1,
SPARE PARTS	DR 5, DR 5.1
SPARE PARTS	DR 7, DR 7.1
KIT DECAL	
TROLLEY	KA 4



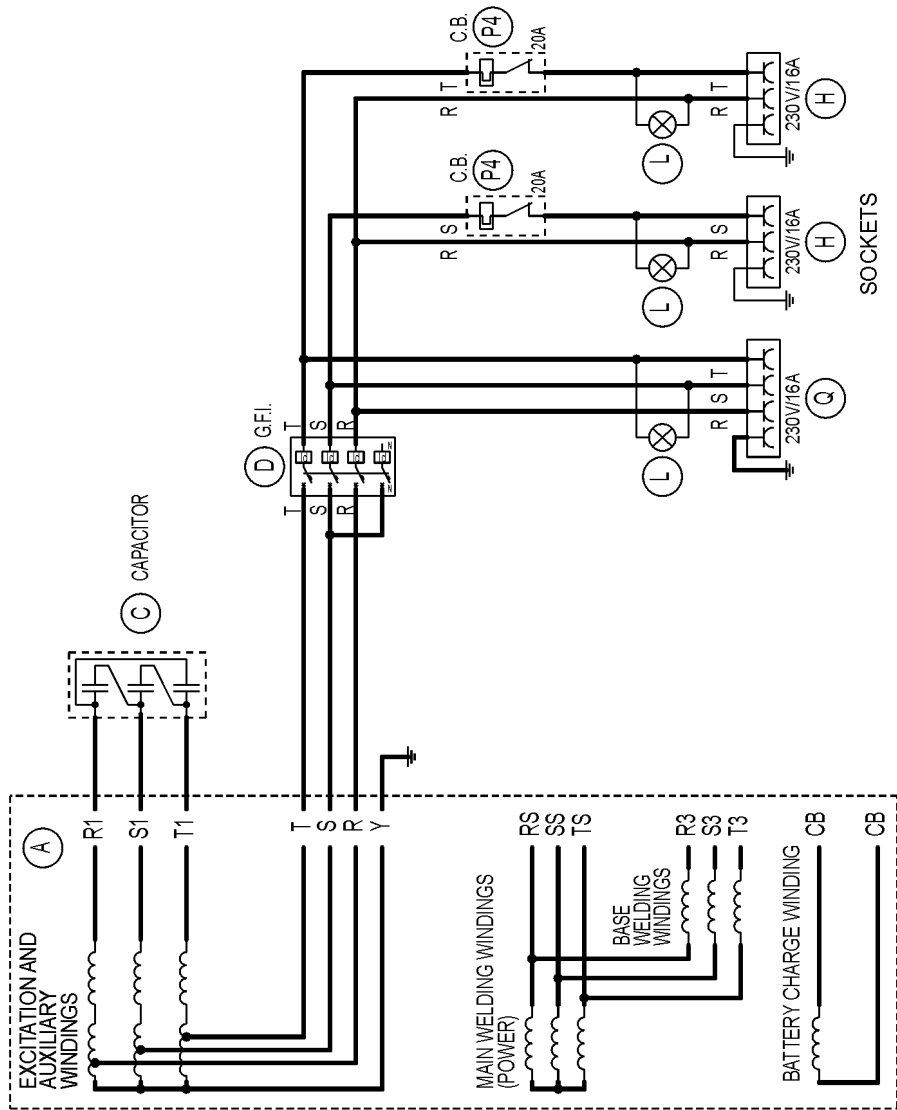
	Denominazione: Aux. (400T/230M/48M) DT	Progetto: 27275.prg	Pac.n°: 3
	Macchina:	Data: 01/08/2000	Dist.n°: 27275.S.020
		9	



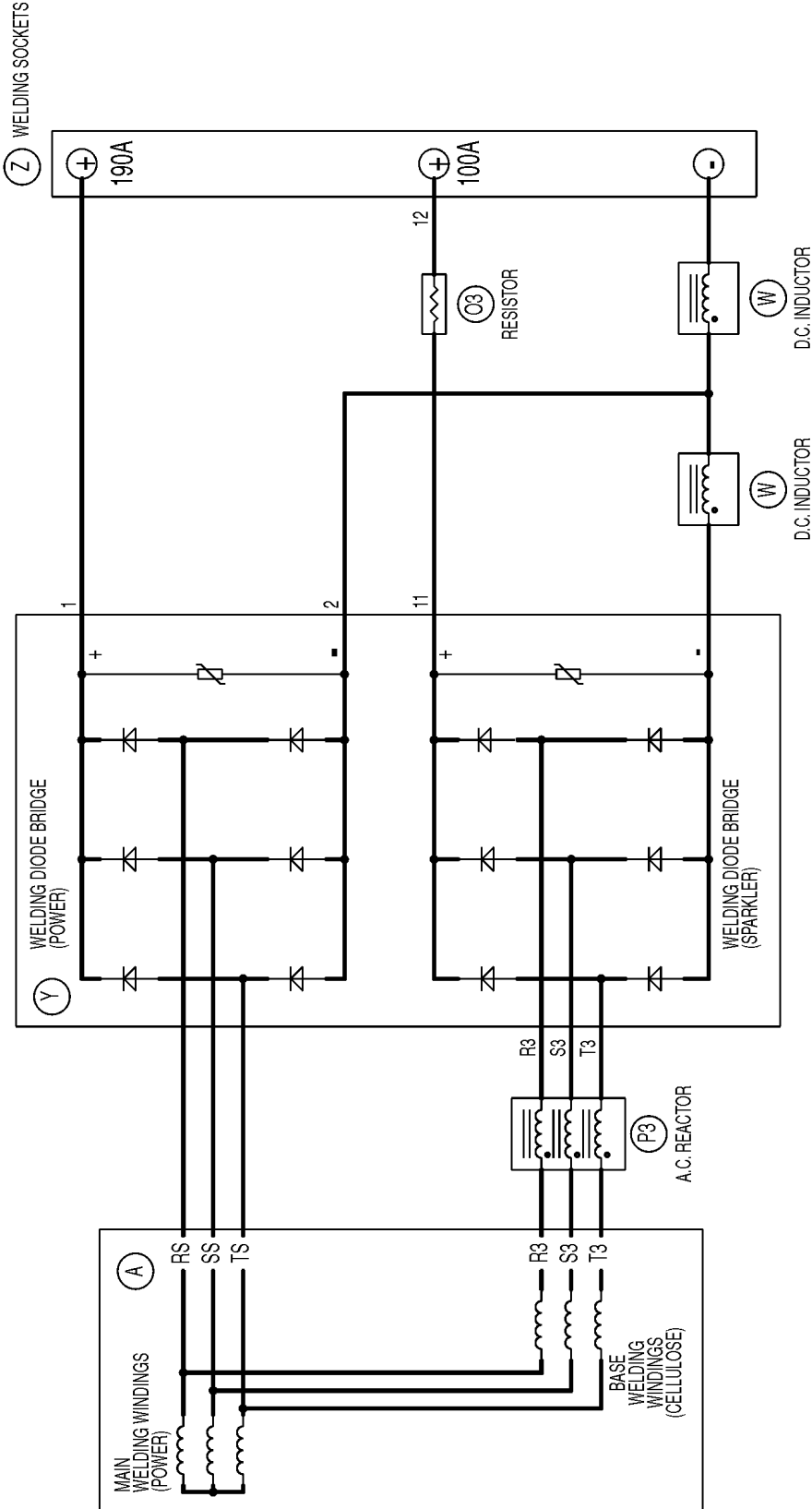
Denominazione: Welding Power		Progetto: 27275.prg	Pagina: 4	dim° 4
Macchina:		Data: 01/08/2000	Dis.n°: 27275.S.030	



Denominazione: Engine Yanmar L100AE-DEG		Progetto: 27275.prg	
Macchina:		Dis.n°: 27275.S.010	
Data: 01/08/2000		Pag.n° 2	
		di.n° 4	



Exp.		Date	Date
Modification		Project	Page n° of n°
From Page Denomination:		27263.pig	2 3
To Page		Drwg. n°	Approved:
Machine:		11.10.2001	27263.S.020
KHM 190 HS 60Hz			



Exp.		Modification		Date	Desi.	Appr.
From Page		Denomination:		Project:	Page n°	of n°
To Page		Machine:		27262.prg	3	3
		Date:		Dwg. n°:	Approved:	
		08.05.2001		27262.S.030		

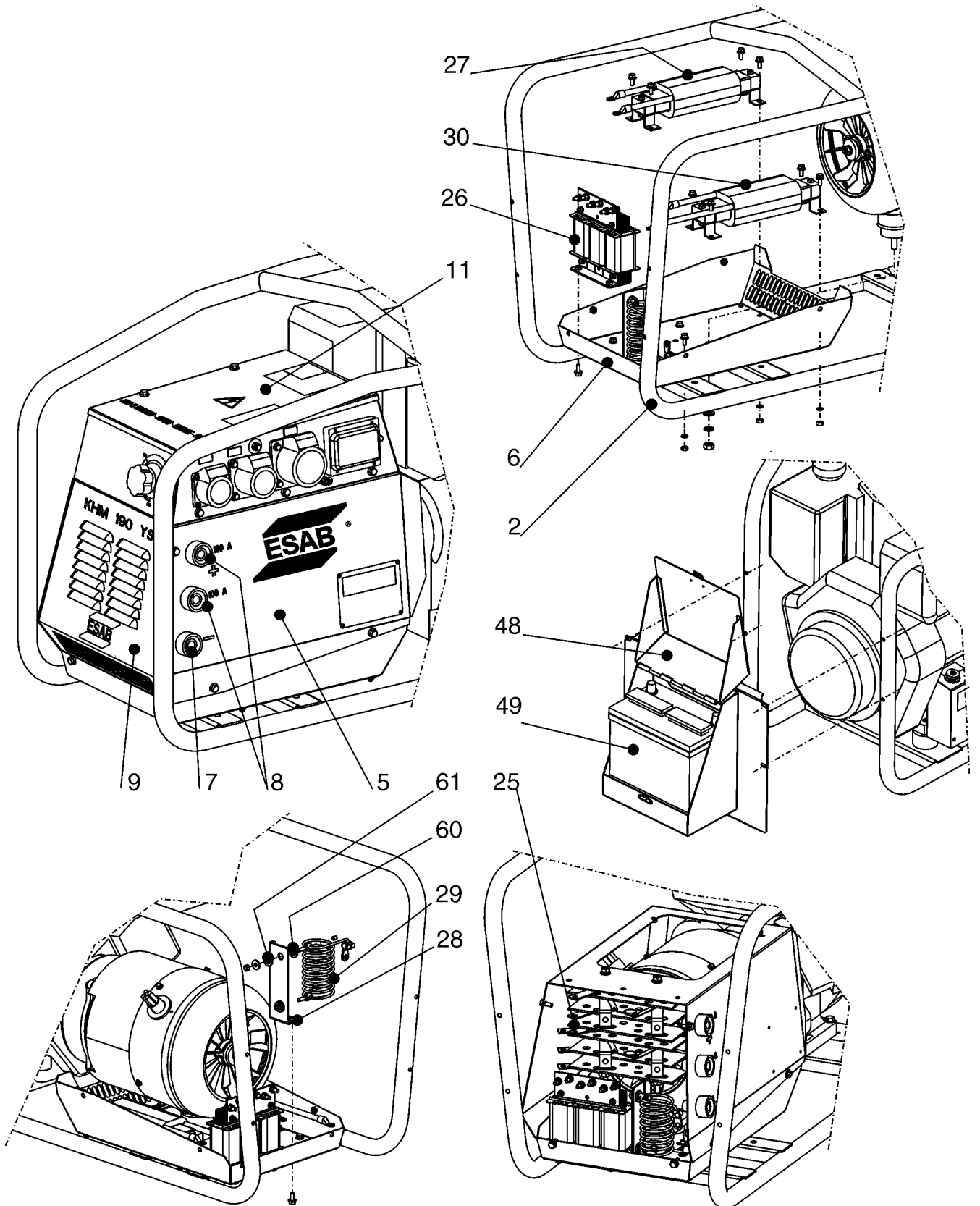
A : Alternator
B : Wire connection unit
C : Capacitor
D : G.F.I. (ground fault interrupter)
G : 400V 3-phase socket
H : 230V 1phase socket
L : Socket warning light
Q : 230V EEC (220V) 3-phase socket
Z : Welding sockets
W : D.C. inductor
Y : Welding diode bridge

L1 : Oil pressure switch
N1 : Battery charge warning light
O1 : Oil pressure warning light
Q1 : Starter key
R1 : Starter motor
S1 : Battery
U1 : Battery charge voltage regulator

O2 : 42V EEC. socket

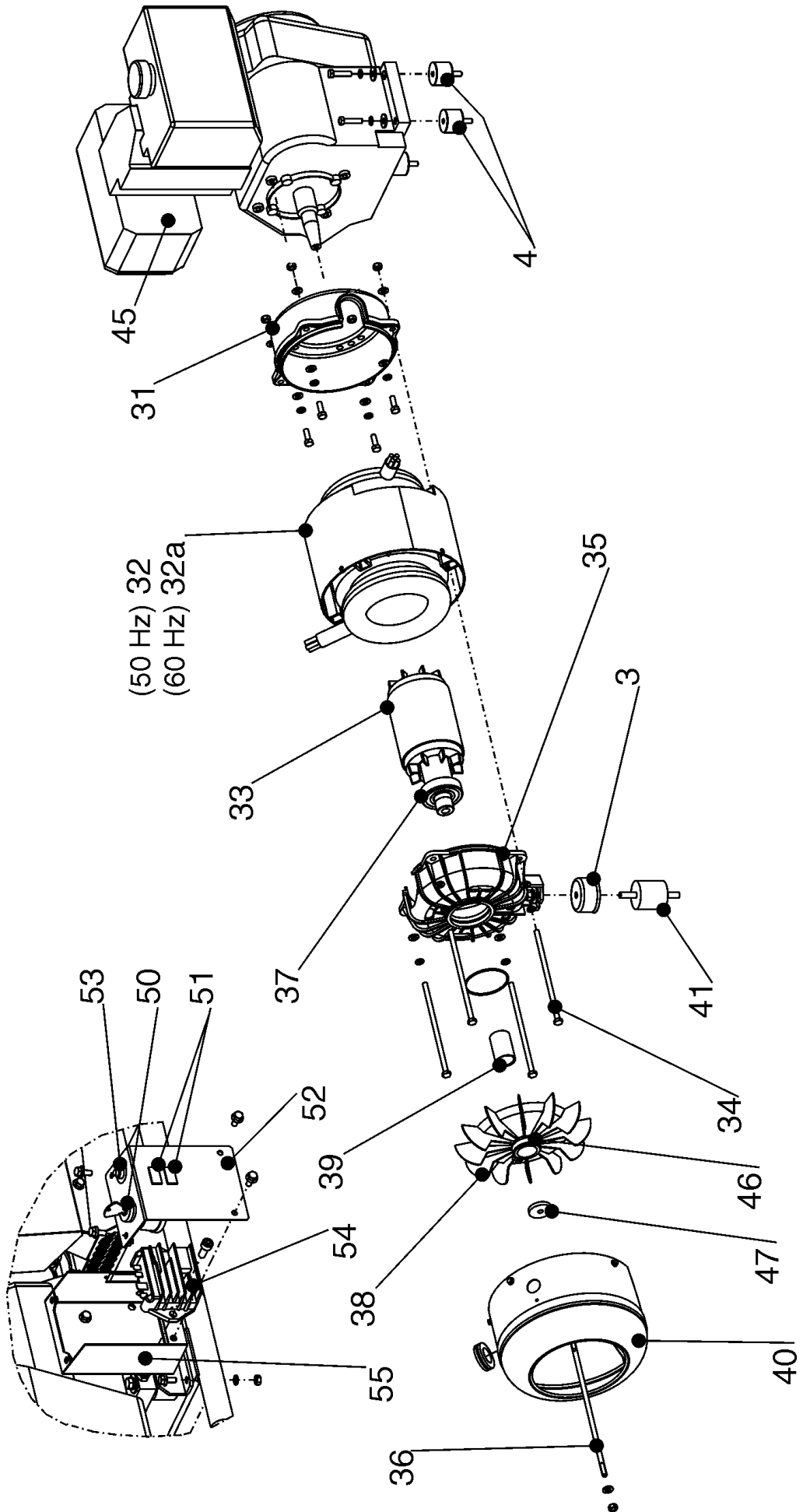
O3 : Resistor
P3 : A.C. Reactor

P4 : Circuit breaker



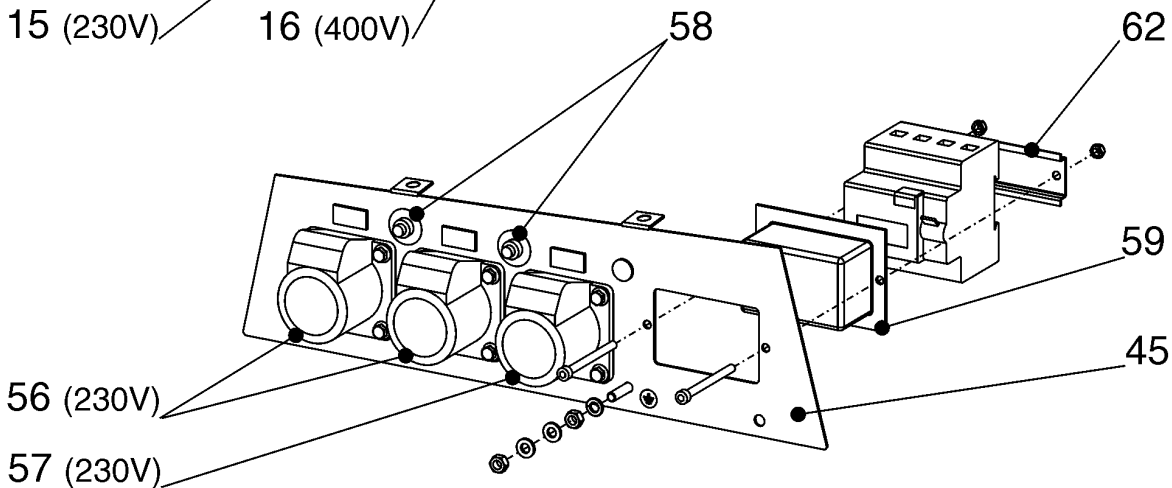
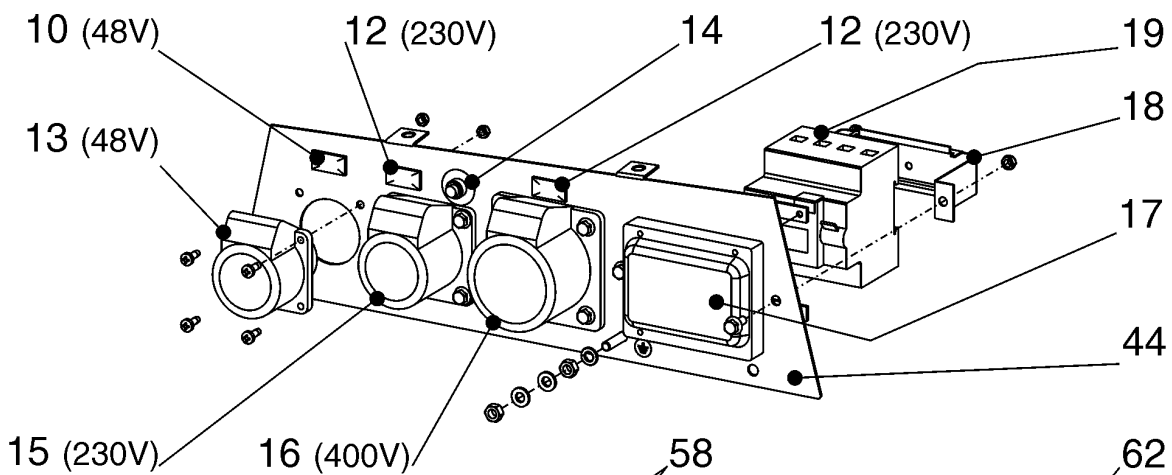
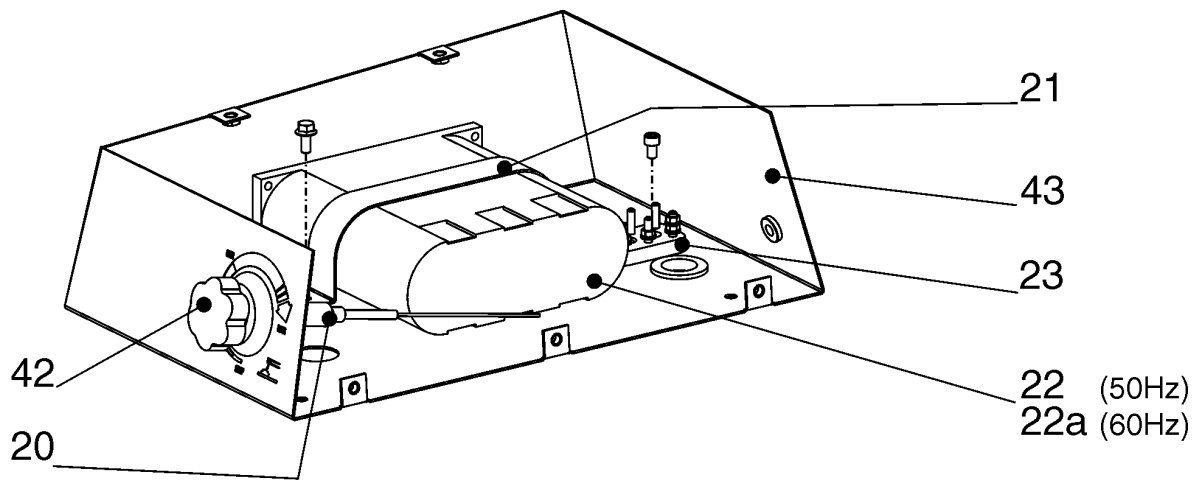
DR 3					
Item no.	Q.ty	Ordering no.	Denomination	NOTES	C
2	1	0794000045	FRAME	Delivered up to 001 - XXX - XXXX	
2	1	0794000045	FRAME	Delivered from 113 - XXX - XXXX	
5	1	0794000022	COMPLETE COVER		
6	1	0794000018	CASE, BOTTOM HALF		
7	1	0794000020	WELDING SOCKET (-)		Z
8	2	0794000019	WELDING SOCKET (+)		Z
9	1	0794000021	FRONT GRILL		
11	1	0794000016	ELECTRICAL BOX COVER		
25	1	0794000030	DIODE BRIDGE		Y
26	1	0794000029	A.C. REACTOR		P3
27	1	0794000031	D.C. INDUCTOR		W
28	1	0794000051	SUPPORT		
29	1	0794000028	RESISTOR		O3
30	1	0794000032	D.C. INDUCTOR		W
48	1	0794000246	BATTERY HOLDER WITH COVER		
49	1	0794000247	BATTERY		S1
60	2	0794000042	WASHER		
61	2	0794000043	BUSH		

C = component designation in the electrical system



DR 5					
Item no.	Q.ty	Ordering no.	Denomination	NOTES	C
3	1	0794000012	VIBRATION DAMPER PROTECTION		
4	2	0794000050	VIBRATION DAMPER	Delivered up to 001 - XXX - XXXX	
4	4	0794000302	VIBRATION DAMPER	Delivered from 113 - XXX - XXXX	
31	1	0794000006	ENGINE FIXING BRACKET		
32	1	0794000004	STATOR	50 Hz version	A
32a	1	0794000305	STATOR	60 Hz version	A
33	1	0794000005	SHAFT WITH ROTOR		
34	4	0794000010	TIE-ROD		
35	1	0794000011	BRACKET, ALTERNATOR HOLDER		
36	1	0794000000	TIE-ROD		
37	1	0794000003	BEARING		
38	1	0794000001	FAN WITH CLAMP		
39	1	0794000002	SPACER		
40	1	0794000014	AIR DUCT		
41	1	0794000013	VIBRATION DAMPER		
46	1	0794000052	CLAMP, FAN		
47	1	0794000053	WASHER		
50	1	0794000054	STARTER KEY ASSY		Q1
51	2	0794000055	WARNING LIGHT	12V	N1/O1
52	1	0794000056	PANEL		
53	1	0794000057	CIRCUIT BREAKER	15A/250V	P4
54	1	0794000058	VOLTAGE REGULATOR		U1
55	1	0794000059	BOX, SUPPORT REGULATOR		

C = component designation in the electrical system



60Hz version (Y230V-I230V)

DR 7					
Item no.	Q.ty	Ordering no.	Denomination	NOTES	C
10	1	0794000038	WARNING LIGHT	48V	L
12	2	0794000033	WARNING LIGHT	230V	L
13	1	0794000040	EEC SOCKET SINGLE-PHASE	32A, 48V 2P+T	O2
14	1	0794000037	CIRCUIT BREAKER	20A/250V	P4
15	1	0794000034	EEC SOCKET SINGLE-PHASE	16A, 230V 2P+T	H
16	1	0794000041	EEC SOCKET THREE-PHASE	16A, 400V 3P+N+T	G
17	1	0794000046	CAP		
18	1	0794000047	BRACKET		
19	1	0794000036	GROUND FAULT INTERRUPTOR (GFI)		D
20	1	0794000027	THROTTLE CABLE		
21	1	0794000024	BRACKET		
22	1	0794000025	CAPACITORS BOX	3x80 μ F	C
22a	1	0794000213	CAPACITORS BOX	3x70 μ F	C
23	1	0794000026	TERMINAL BOARD		
42	1	0794000023	KNOB		
43	1	0749000048	ELECTRICAL BOX		
44	1	0794000049	FRONT PANEL		
45	1	0794000313	FRONT PANEL		
56	2	0794000034	EEC SOCKET SINGLE-PHASE	16A, 230V 2P+T	H
57	1	0794000314	EEC SOCKET THREE-PHASE	16A, 230V 3P+N+T	Q
58	2	0794000037	CIRCUIT BREAKER	20A/250V	P4
59	1	0794000035	CAP		
62		0794000315	BRACKET	Order q.ty in meter	

C = component designation in the electrical system

A : Alternator
B : Wire connection unit
C : Capacitor
D : G.F.I. (ground fault interrupter)
G : 400V 3-phase socket
H : 230V 1phase socket
L : Socket warning light
Z : Welding sockets
W : D.C. inductor
Y : Welding diode bridge

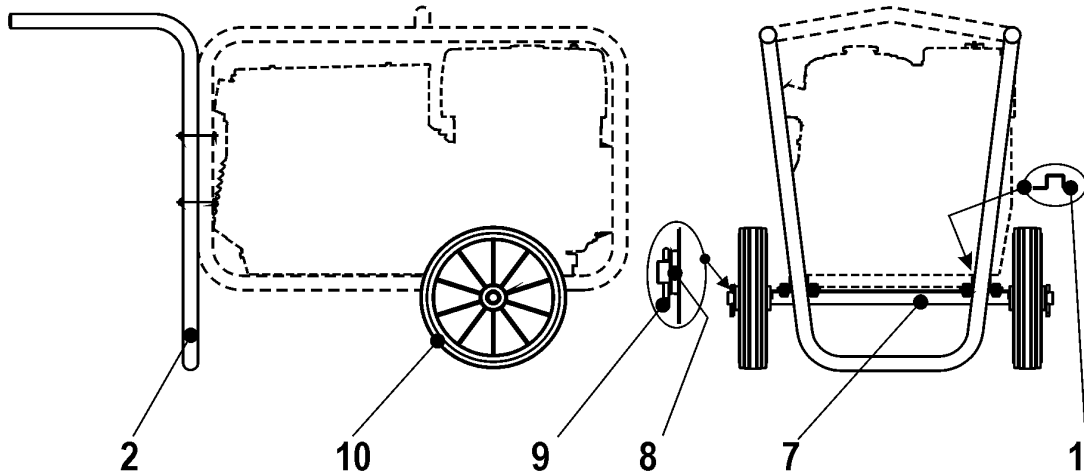
L1 : Oil pressure switch
N1 : Battery charge warning light
O1 : Oil pressure warning light
Q1 : Starter key
R1 : Starter motor
S1 : Battery
U1 : Battery charge voltage regulator

O2 : 42V EEC. socket

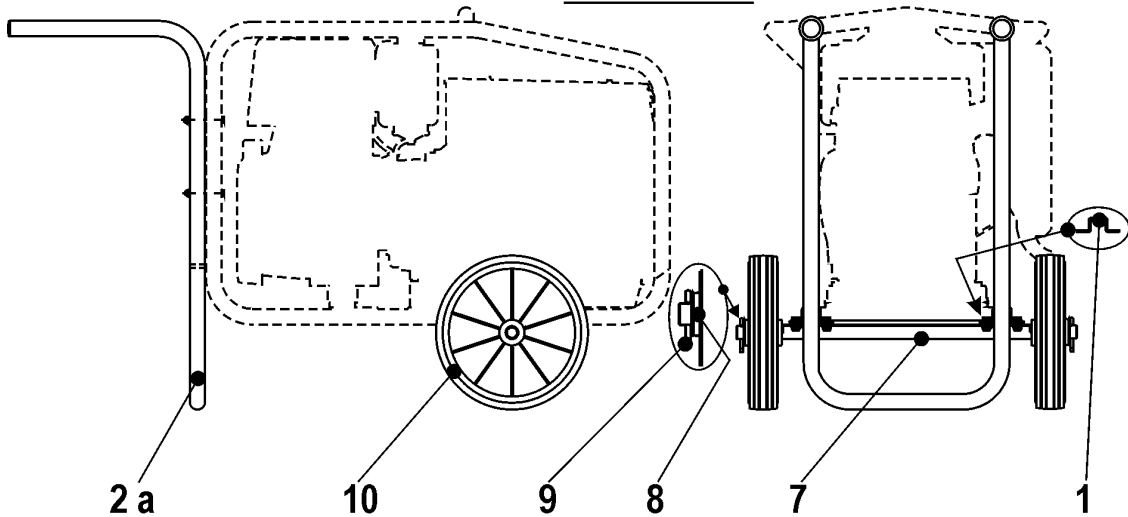
O3 : Resistor
P3 : A.C. Reactor

P4 : Circuit breaker

KHM 190 HS



KHM 190 YS



KA4					
Item no.	Q.ty	Ordering no.	Denomination	NOTES	C
1	1	0794000283	U-BOLT		
2	1	0794000289	HANDLE		
2a	1	0794000284	HANDLE		
7	1	0794000285	AXLE		
8	1	0794000286	WASHER		
9	1	0794000287	PIN, SPLIT		
10	1	0794000288	WHEEL		

C = component designation in the electrical system

ESAB subsidiaries and representative offices

Europe

AUSTRIA

ESAB Ges.m.b.H
Vienna-Liesing
Tel: +43 1 888 25 11
Fax: +43 1 888 25 11 85

BELGIUM

S.A. ESAB N.V.
Brussels
Tel: +32 2 745 11 00
Fax: +32 2 726 80 05

THE CZECH REPUBLIC

ESAB VAMBERK s.r.o.
Prague
Tel: +420 2 819 40 885
Fax: +420 2 819 40 120

DENMARK

Aktieselskabet ESAB
Copenhagen-Valby
Tel: +45 36 30 01 11
Fax: +45 36 30 40 03

FINLAND

ESAB Oy
Helsinki
Tel: +358 9 547 761
Fax: +358 9 547 77 71

FRANCE

ESAB France S.A.
Cergy Pontoise
Tel: +33 1 30 75 55 00
Fax: +33 1 30 75 55 24

GERMANY

ESAB GmbH
Solingen
Tel: +49 212 298 0
Fax: +49 212 298 204

GREAT BRITAIN

ESAB Group (UK) Ltd
Waltham Cross
Tel: +44 1992 76 85 15
Fax: +44 1992 71 58 03

ESAB Automation Ltd

Andover
Tel: +44 1264 33 22 33
Fax: +44 1264 33 20 74

HUNGARY

ESAB Kft
Budapest
Tel: +36 1 20 44 182
Fax: +36 1 20 44 186

ITALY

ESAB Saldatura S.p.A.
Mesero (Mi)
Tel: +39 02 97 96 81
Fax: +39 02 97 28 91 81

THE NETHERLANDS

ESAB Nederland B.V.
Utrecht
Tel: +31 30 248 59 22
Fax: +31 30 248 52 60

NORWAY

AS ESAB
Larvik
Tel: +47 33 12 10 00
Fax: +47 33 11 52 03

POLAND

ESAB Sp.z.o.o
Warszaw
Tel: +48 22 813 99 63
Fax: +48 22 813 98 81

PORTUGAL

ESAB Lda
Lisbon
Tel: +351 1 837 1527
Fax: +351 1 859 1277

SLOVAKIA

ESAB Slovakia s.r.o.
Bratislava
Tel: +421 7 44 88 24 26
Fax: +421 7 44 88 87 41

SPAIN

ESAB Ibérica S.A.
Alcobendas (Madrid)
Tel: +34 91 623 11 00
Fax: +34 91 661 51 83

SWEDEN

ESAB Sverige AB
Gothenburg
Tel: +46 31 50 95 00
Fax: +46 31 50 92 22

ESAB International AB

Gothenburg
Tel: +46 31 50 90 00
Fax: +46 31 50 93 60

SWITZERLAND

ESAB AG
Dietikon
Tel: +41 1 741 25 25
Fax: +41 1 740 30 55

North and South America

ARGENTINA

CONARCO
Buenos Aires
Tel: +54 11 4 753 4039
Fax: +54 11 4 753 6313

BRAZIL

ESAB S.A.
Contagem-MG
Tel: +55 31 333 43 33
Fax: +55 31 361 31 51

CANADA

ESAB Group Canada Inc.
Mississauga, Ontario
Tel: +1 905 670 02 20
Fax: +1 905 670 48 79

MEXICO

ESAB Mexico S.A.
Monterrey
Tel: +52 8 350 5959
Fax: +52 8 350 7554

USA

ESAB Welding & Cutting Products
Florence, SC
Tel: +1 843 669 44 11
Fax: +1 843 664 44 58

Asia/Pacific

AUSTRALIA

ESAB Australia Pty Ltd
Ermington
Tel: +61 2 9647 1232
Fax: +61 2 9748 1685

CHINA

Shanghai ESAB A/P
Shanghai
Tel: +86 21 6539 7124
Fax: +86 21 6543 6622

INDIA

ESAB India Ltd
Calcutta
Tel: +91 33 478 45 17
Fax: +91 33 468 18 80

INDONESIA

P.T. Esabindo Pratama
Jakarta
Tel: +62 21 460 01 88
Fax: +62 21 461 29 29

MALAYSIA

ESAB (Malaysia) Snd Bhd
Selangor
Tel: +60 3 703 36 15
Fax: +60 3 703 35 52

SINGAPORE

ESAB Singapore Pte Ltd
Singapore
Tel: +65 861 43 22
Fax: +65 861 31 95

ESAB Asia/Pacific Pte Ltd

Singapore
Tel: +65 861 74 42
Fax: +65 863 08 39

SOUTH KOREA

ESAB SeAH Corporation
Kyung-Nam
Tel: +82 551 289 81 11
Fax: +82 551 289 88 63

UNITED ARAB EMIRATES

ESAB Middle East
Dubai
Tel: +971 4 338 88 29
Fax: +971 4 338 87 29

Representative offices

BULGARIA

ESAB Representative Office
Sofia
Tel/Fax: +359 2 974 42 88

EGYPT

ESAB Egypt
Dokki-Cairo
Tel: +20 2 390 96 69
Fax: +20 2 393 32 13

ROMANIA

ESAB Representative Office
Bucharest
Tel/Fax: +40 1 322 36 74

RUSSIA-CIS

ESAB Representative Office
Moscow
Tel: +7 095 937 98 20
Fax: +7 095 937 95 80

ESAB Representative Office

St Petersburg
Tel: +7 812 325 43 62
Fax: +7 812 325 66 85

Distributors

For addresses and phone numbers to our distributors in other countries, please visit our home page

www.esab.com



ESAB AB
SE-695 81 LAXÅ
SWEDEN
Phone +46 584 81 000
Fax +46 584 123 08

www.esab.com

